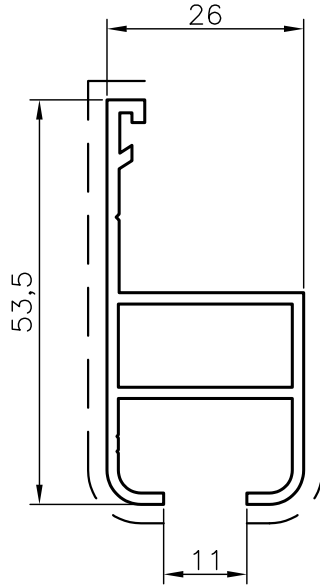
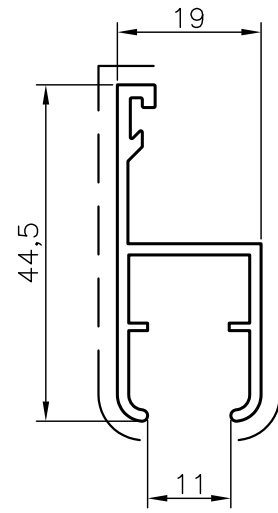


M0978
P= 513 gr/ml

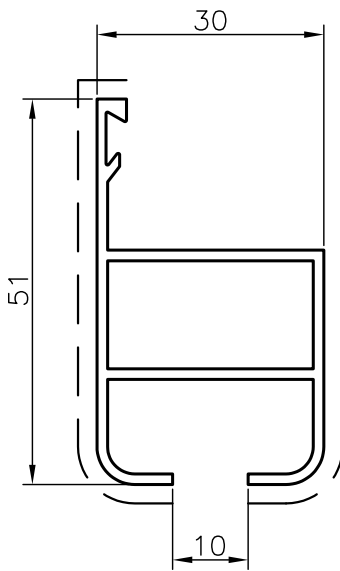
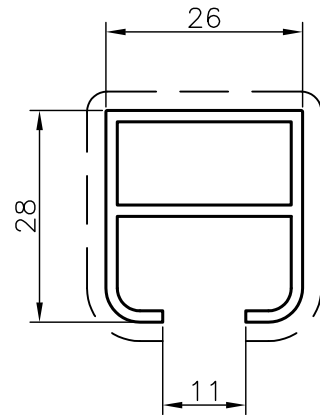


M1004
P= 588 gr/ml

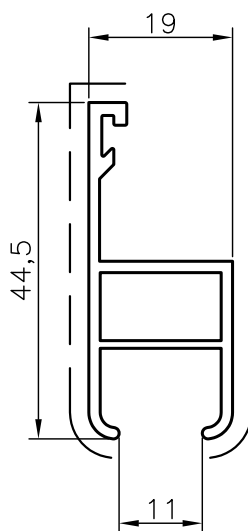


MF3327
P= 397 gr/ml

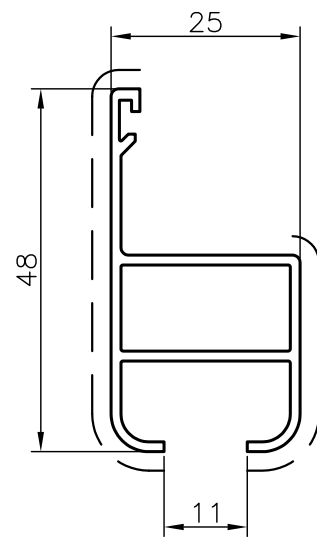
R4405
P= 450 gr/ml



MF3335
P= 585 gr/ml



MF3336
P= 423 gr/ml



R4100
P= 462 gr/ml